



McDANIEL

Liquid Filled, Stainless Steel Case Utility Gauges

"For the price-conscious buyer . . .

McDaniel utility gauges are designed for the price-conscious buyer and user who have an emphasis on maintaining quality and accuracy in a general purpose gauge.

Our utility line offers trusted McDaniel quality in an economical package. Special consideration given to rigorous McDaniel standards for durability, accuracy, and quality of construction.

Our Series 6: Glycerin filled, stainless steel case utility gauges with brass internals. Designed for applications with a corrosive atmosphere and where pulsation and/or vibration are present.

Standard features include a restrictor screw (removable) in the inlet port for pulsation dampening.

. . . and quality user."



SPECIFICATIONS

Accuracy:

ASME B40.1 standard (Grade B) (3 - 2 - 3%)

Dial:

Plastic (ABS).

Case:

304 Stainless steel.

Pointer:

Black enameled aluminum.

Lens:

Plastic (SAN).

Precision Movement

Brass.

Bourdon Tube:

Copper alloy (C Form 600 PSI & below).

Phosphorous bronze (Spiral 800 PSI & above).

Temperature Utilization:

-4 + 176 degrees Farenheit.

-20 + 80 degrees Celsius.

Pressure Utilization:

Static: 75% maximum scale.

Dynamic: 66% maximum scale.

Stem and Socket:

Brass. Restrictor screw standard.

J6 = 1/4" NPT (1/8" special order available)

T6 = 1/4" or 1/8" NPT available

Dial Sizes / Ranges Available

2" - (T6) / Vac, Comp, Rec 3-15, up to 5,000 psi

2 1/2" - (J6) / Vac, Comp, Rec 3-15, up to 15,000 psi

Configurations Available:

Bottom connected standard

(L) = Center-back connected

(U) = U-Clamp mounted, Center-back connected

(P) = Front flange, Center-back connected

McDaniel Controls, Inc.

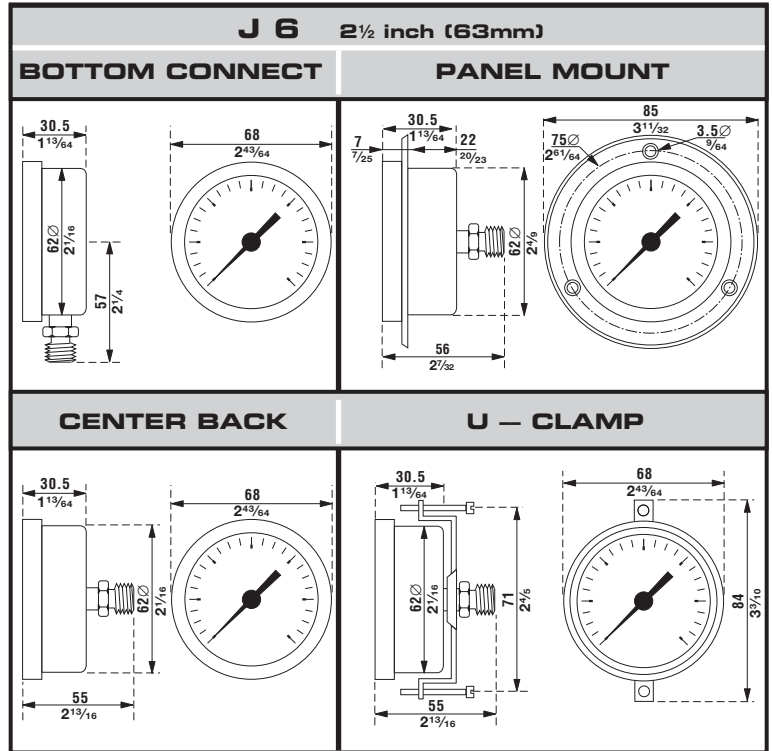
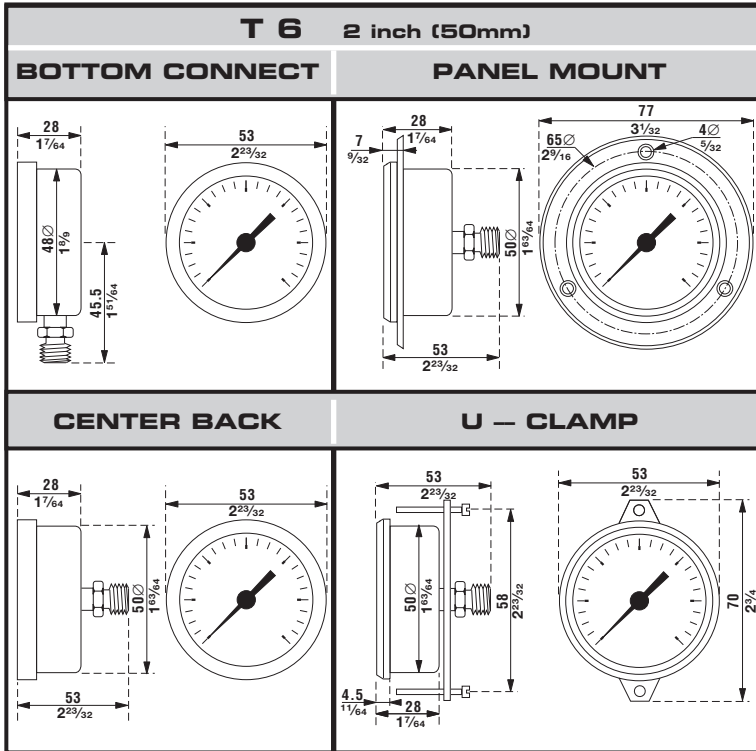
P. O. Box 187, Luling, LA 70070 • 14148 Highway 90, Boutte, LA 70039 U.S.A.

(985) 758-2782 • New Orleans (504) 467-1333 • Fax (985) 758-1688

www.mcdanielcontrols.com

DIMENSIONAL DATA

In millimeters (mm) and inches (in.)



* See website for dimensional data and downloadable AutoCAD files: www.mcdanielcontrols.com

McDaniel also makes gauges in other materials; in sizes and ranges to fit a wide variety of applications, and in many special configurations.

Ask your representative about McDaniel gauges with stainless steel or Monel® internals, all brass or all stainless steel gauges, test gauges, or other requirements.

© Monel is a registered trademark of INCO family of companies.

| Range code | Range psi | Minor Increments |
|-----------------|-----------------|------------------|
| A | 0 - 15 | .5 |
| B | 0 - 30 | 1 |
| C | 0 - 60 | 1 |
| D | 0 - 100 | 2 |
| E | 0 - 160 | 5 |
| F | 0 - 200 | 5 |
| G | 0 - 300 | 10 |
| H | 0 - 400 | 10 |
| I | 0 - 600 | 20 |
| J | 0 - 800 | 20 |
| 1K* | 0 - 1000 | 20 |
| L | 0 - 1500 | 50 |
| M | 0 - 2000 | 50 |
| N | 0 - 3000 | 100 |
| 4k | 0 - 4000 | 100 |
| O | 0 - 5000 | 100 |
| 6k | 0 - 6000 | 200 |
| P | 0 - 10000 | 200 |
| Q | 0 - 15000 | 500 |
| VACUUM | VACUUM | VACUUM |
| S | VAC 30"Hg - 0 | 1 |
| RECEIVER | RECEIVER | RECEIVER |
| T | REC 3 - 15** | 2 |
| COMPOUND | COMPOUND | COMPOUND |
| U | 30"Hg + 15 | 1-0-2 |
| V | 30"Hg + 30 | 1-0-2 |
| W | 30"Hg + 60 | 2-0-5 |
| X | 30"Hg + 100 | 2-0-5 |
| Y | 30"Hg + 160 | 2-0-10 |
| 2k | 30"Hg + 200 | 5-0-15 |
| Z | 30"Hg + 300 | 10-0-30 |

HOW TO ORDER

- Select the model number (**T6** or **J6**)
- Specify range code from list at left.
- Specify mounting code:
(Bottom connection is standard, no code)
"L" = (Center-back connection)
"U" = (U-Clamp, Center-back connection)
"P" = (Panel mount w/front flange, Center-back connection)
- Specify any other special configurations or options. (special NPT size, dual-scales, etc.)

Special Configuration Adder Codes

- B** = psi/Bar (dual scale) (nonstock)
- K** = psi/kPa (dual scale) (nonstock)
- 1/8" = 1/8" NPT (non stock on J6)

Model

(Example: **T6E**: "T6" = 2" (50mm) Dial - "E" = (0 - 160 psi range)
J61kP: "J6" = 2 1/2" (63mm) Dial - "1k" = (1000 psi range) - "P" = (Panel mount)

- * Use 1K on **T6** and **J6** for 0 - 1000 psi range.
- ** Receiver gauge is dual scale. (0 - 100% primary, 0 - 10 square root secondary)

Limited Warranty

McDaniel warrants our utility gauges to be free of defects in material and workmanship: Replacement of any defective gauge will be made at no cost to the purchaser. Gauge failures determined to be caused by over-range and incompatibility with environment/product media or abuse will not be considered under this warranty.

DISTRIBUTED BY:

Chirico Scientific

www.chiricoscientific.com

It is recommended that users of pressure gauges become familiar with American National Standard ASME B40.1, entitled Gauges, Pressure and Vacuum - Indicating Dial Type - Elastic Element. This specification is available from:

American Society of Mechanical Engineers

3 Park Avenue
New York, New York 10016
Phone: 212-591-7722